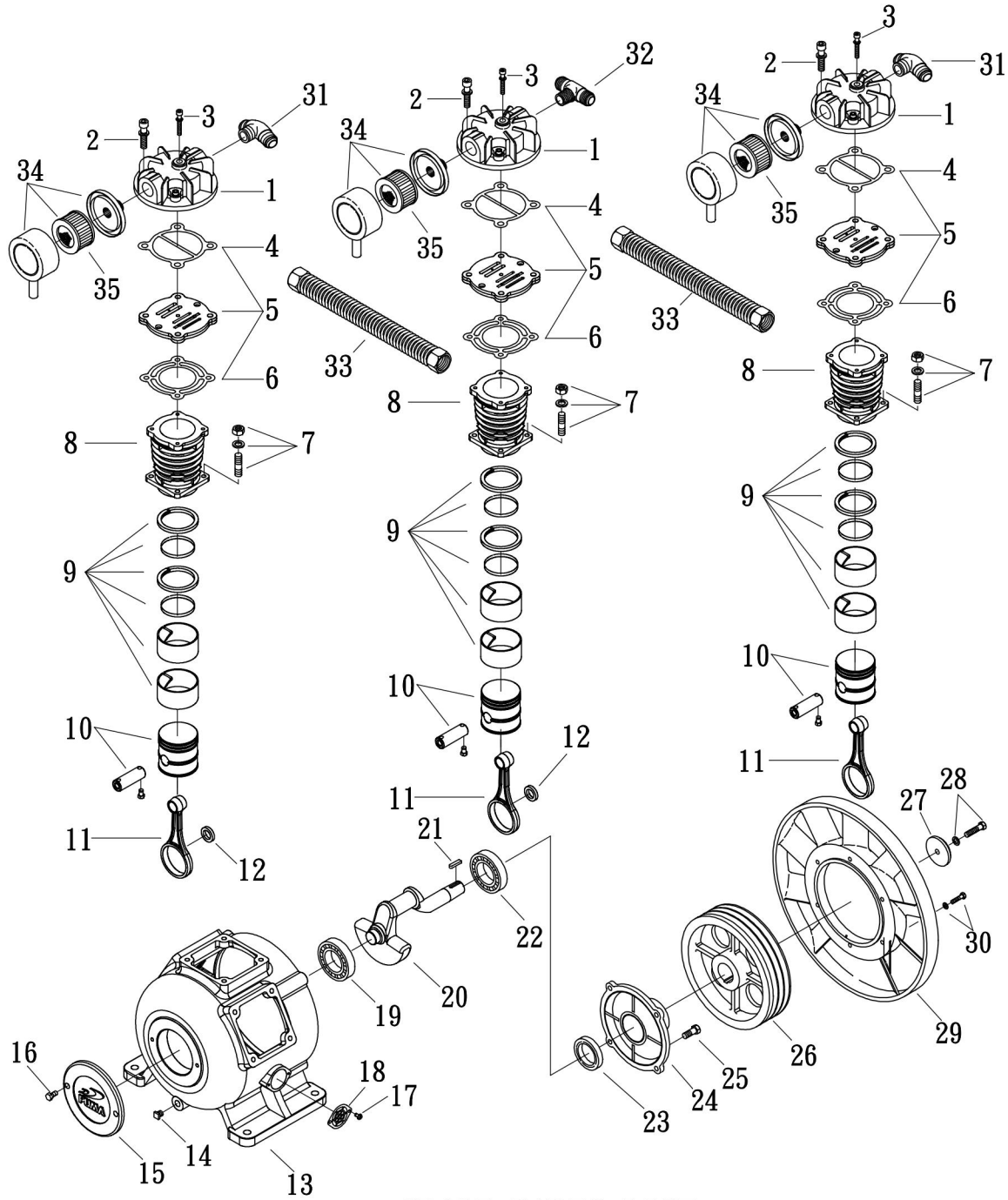


MODEL : BF10



SPARE PARTS LIST

NO : MP-1910

REF. NO.	DESCRIPTION	PART NO.	QTY.	REF. NO.	DESCRIPTION	PART NO.	QTY.
1	Cylinder head	3101085A	3	19	Bearing	2N35-6308LLU	1
2	Allen bolt set	3B01-M10*055V	12	20	Crankshaft & balancer	3304112	1
3	Allen bolt set	3B01-M06*052Z	3	21	Pulley key	2N47-10*8*40	1
4	Cylinder head gasket	2G01-029C	3	22	Oil seal	2N50-TC43*68*12	1
5	Inlet&Exhaust valve assembly	3B13-K95B95	3	23	Bearing	2N35-6309LLU	1
6	Valve seat gasket	2G03-020C	3	24	Rear bearing seat	3311043	1
7	Double head screw	3B11-003-A	12	25	Hexagon bolt	2B00-SM10*025	4
8	Cylinder	3201095	3	26	Pulley	3PBF-115B243	1
9	Piston ring set	3B32-BF5090	3	27	Plate washer	2B34-13*75*13	1
10	Piston set	3B31-BF5090	3	28	Hexagon bolt set	3B00-SM12*050V	1
11	Rod set	3B33-BF50	3	29	Fly wheel	3PBF-516*228	1
12	Bushing	3156103	2	30	Hexagon bolt set	3B00-SM08*035AV	6
13	Crankcase	3301145	1	31	Exhaust three way pipe	2N09-10H10T10H3	2
14	Oil draining plug	2N33-002	1	32	Exhaust three way pipe	2N09-10H10T10H4	1
15	Front cover	3309052A	1	33	Exhaust tube set	3B2-10*270	2
16	Hexagon bolt	2B00-SM08*025	2	34	Air filter	2140011	3
17	Bolt	2B02-FM5*010WB	4	35	Filter element	2142009	3
18	Breather cover set	2321010	2				